

Safety instructions



Always check the safety and testing regulations that are currently valid for your country. When performing work on the device, abide by the following regulations:

- Repair-related (e.g. in accordance with VDE 0701 in Germany).
- Device-related in accordance with IEC 62368.

- Unauthorized alterations and modifications are not permitted for safety and certification reasons. The person who performs unauthorized modifications is liable for any resulting damage.
- Comply with ESD regulations when working around components that are susceptible to electrostatic discharge.
- Modifications and repairs may only be performed by skilled personnel (e.g. in accordance with VDE 1000 in Germany).
- When repairing a device or replacing single components you have to use the original parts from the device's current spare parts list. When other than the original parts are used the approval/ the certification of the device becomes invalid!

Service and support

Special problems may be fixed by our Sennheiser service support center. For this please use our Case Management System:

support@sennheiser.com

Sennheiser ServiceNet users can find additional solutions to any problems via the service support database. To apply for ServiceNet access or if you have ServiceNet questions, please use this link:

<https://www.se-servicenet.com/portal/contact.php?com=1&lan=2>

Change log

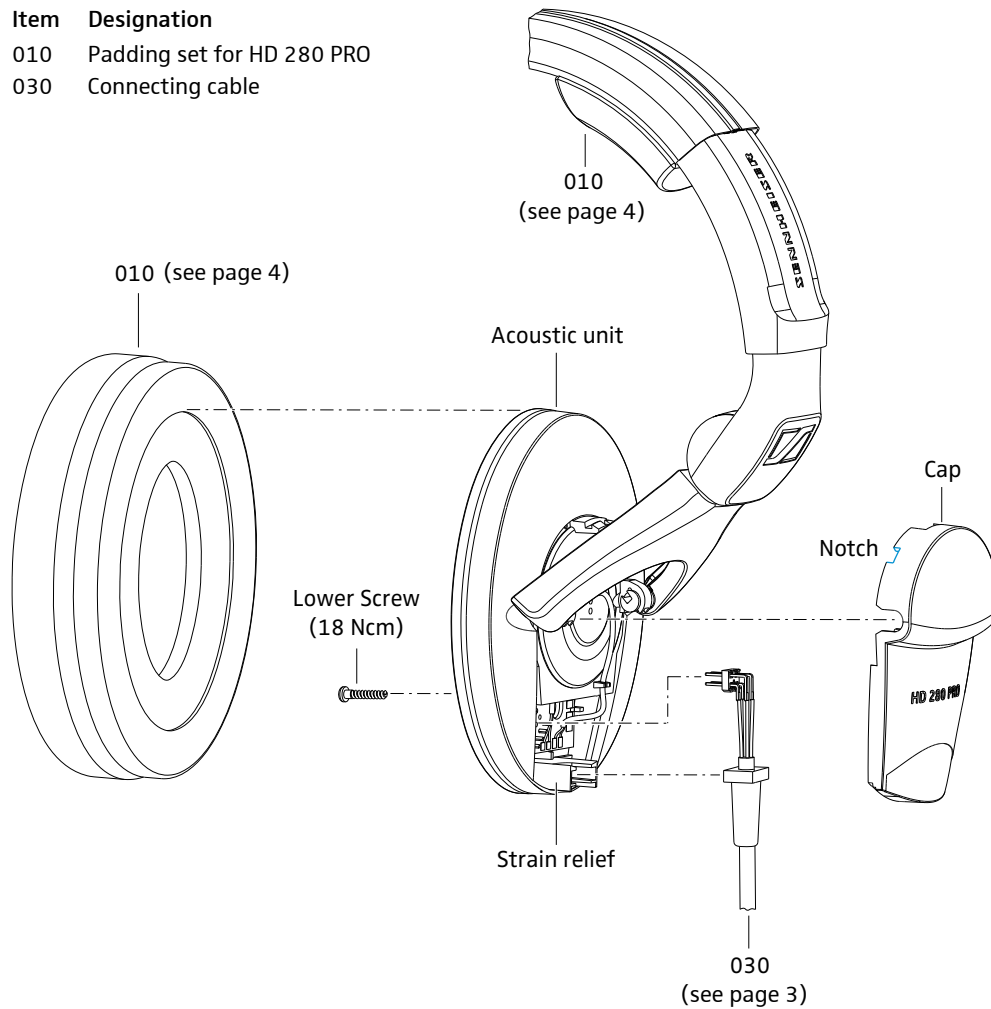
Release	Date	Chapter/comment
ASSY 160518	May 2016	Basic issue
R01	Mar 21, 2018	Changed exploded view and spare part list.

1 Exploded view



Only the left/connecting cable side is displayed.

Item	Designation
010	Padding set for HD 280 PRO
030	Connecting cable

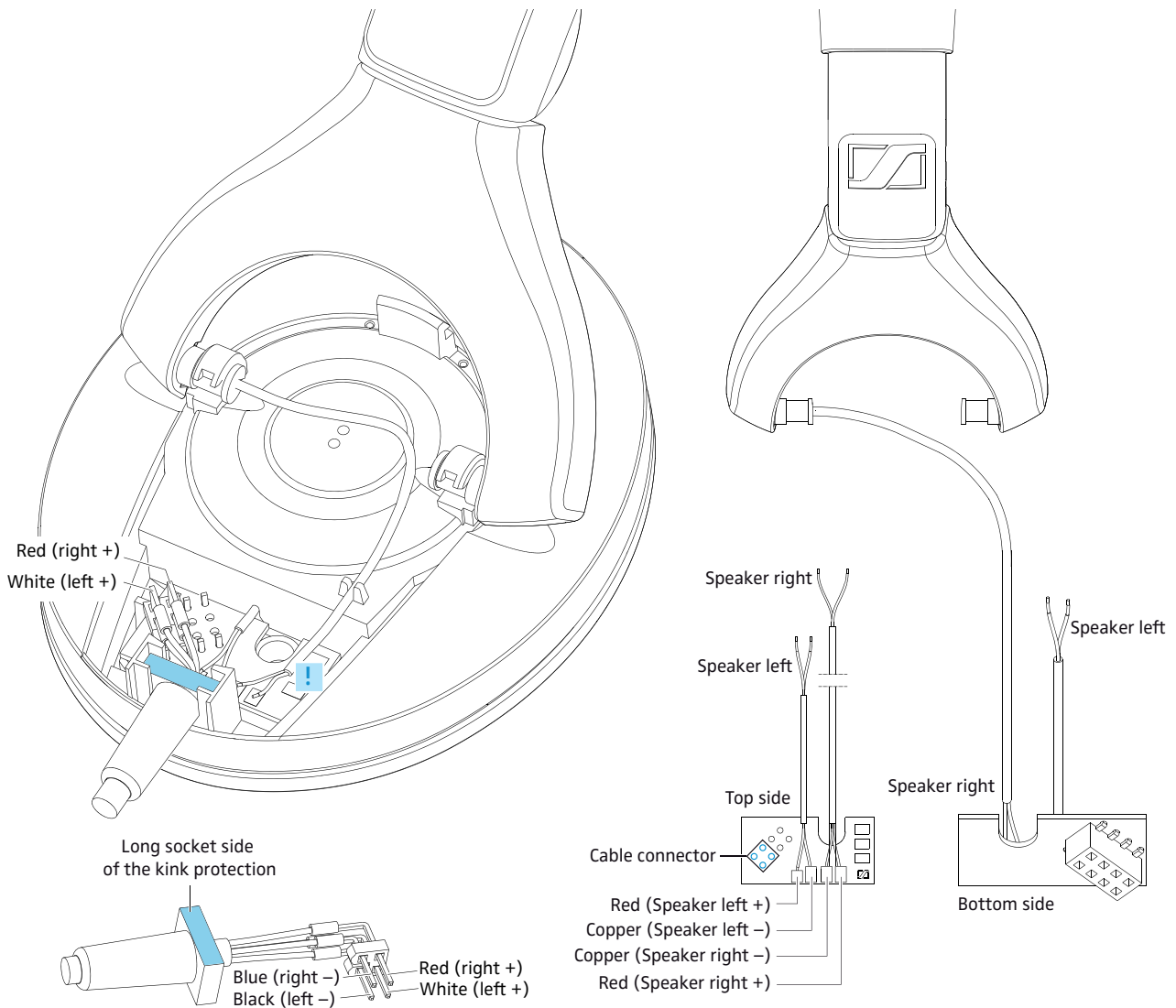


See also:

The spare parts list of this device will be continuously updated in our Sennheiser ServiceNet.

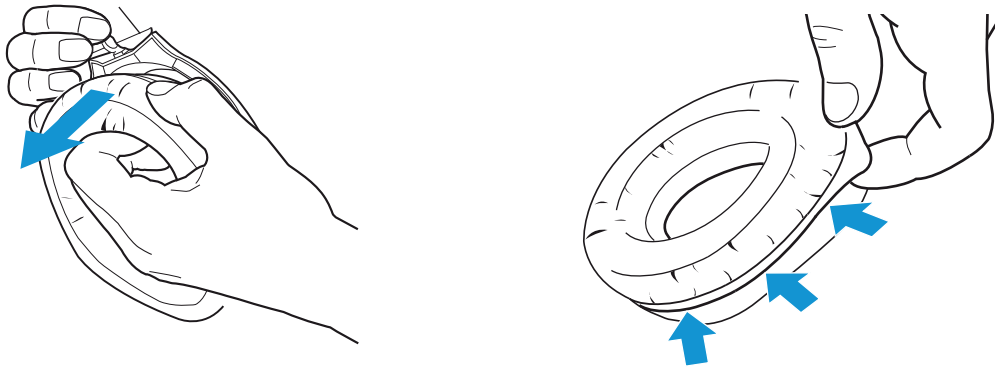
2 Replacing the connecting cable

1. Remove the earpad [010] of the left/connecting cable side as shown on page 4.
2. Remove the lower screw of the acoustic unit.
3. Remove the cap. If necessary, put a small slotted screwdriver into the two notches (see page 2) and lift the cap.
4. Carefully unplug the connecting cable [030].
5. Replace the connecting cable and assemble in reverse order. Observe the correct cable routing **!**. Ensure that the cable will not be damaged by the screw dome of the cap. Also ensure that the cable's kink protection and the connector PCB are completely even inserted. When you put the cap on the acoustic unit, a clicking noise is hearable. Tighten the lower screw with a torque of 18 Ncm.



3 Replacing the earpads

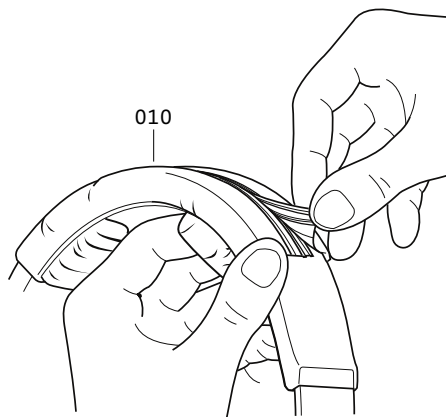
1. Grasp the edge of the earpad [010] and peel it up and away from the cap.
2. Slide the new earpad onto the cap. The edge of the earpad must be tucked completely into the notch.



4 Replacing the headband padding

4.1 Removal

1. Remove the headband padding [010] as shown below.



4.2 Assembly

2. While sitting spread the headband apart thus placing it over your thighs.
3. The headband padding has a zip-lock. Put the new padding [010] around the headband by starting to fix it firmly from the centre or the end of the headband position.
4. Ensure that the zip-lock of the headband padding is completely closed as shown above.